

PRODUCT DETAILS

NOVA FLOOR-MOUNT

Designed with security, fast installation and affordability in mind, the NOVA FLOOR-MOUNT can securely mount screens into a variety of meeting and learning spaces.

All cables are concealed within the mast alongside space for a small PC. The unit can also be supplied with a hook-on equipment shelf for a keyboard and mouse or laptop resulting in an 'all-in-one' cost effective solution.

Our JUPITER LITE screen bracket features a padlock, secure locking bar and two adjustable VESA mounting arms which are fixed to the back of the screen and slotted into the main mounting bracket.

Features

- Available in a range of standard paint finishes
- Up to 400x400 VESA / 60kg screens
- Hook on equipment shelf (additional cost)
- Trolley and wall-mount versions available



All-in-one solution

All cables are concealed within the mast, creating the ideal 'all-in-one' solution for wall-mounting screens.



Simple screen installation

Free standing screen mounting solutions which can be easily and securely installed into any space.



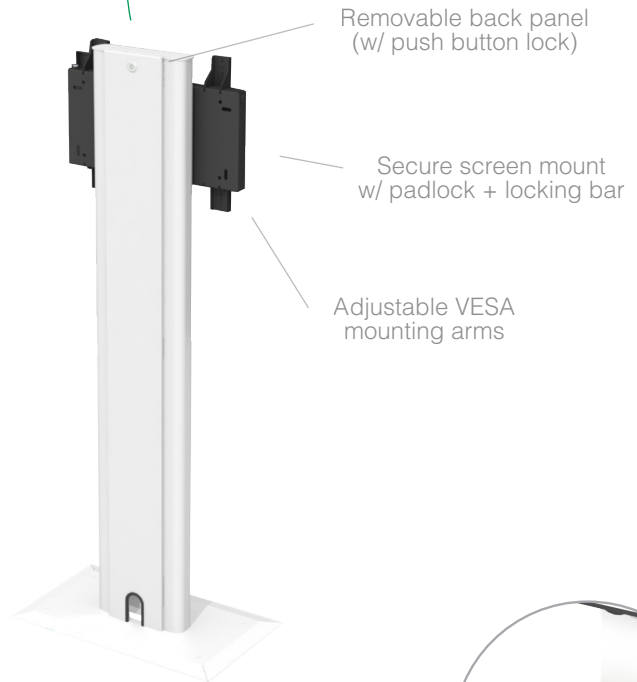
Tamper proof

Robust steel construction, drill resistant locks and a secure screen mount ensure the safety of your equipment.



- **Range of displays**
Up to 400x400 VESA / 60kg screens
Larger brackets available (additional cost)

- **Complete cable management**
- Cables are concealed within the mast
- Internal mast dimensions (~245mm x ~70mm)
- Webs within mast to cable tie equipment



- **Simple screen installation**
- Can be bolted to floor for added security
- Cables can be fed through the bottom of the unit from the floor

- **All-in-one PC solution**
Space within mast for an SFF PC + equipment shelf for a keyboard / mouse or laptop

Technical Information

Model	Code	VESA (up to)	MAX screen weight	Product dimensions
Nova FLOOR-MOUNT	NAS-18-XX	400x400	60kg	700mm(W) x 415mm(D) x 1718mm(H)
Equipment Shelf	NA-SHELF-XX-X	-	-	610mm(W) x 300mm(D)

Included

- Choice of standard paint finishes
- JUPITER LITE 01 screen mount (landscape/portrait)
- Removable / lockable back panel
(can be supplied without on request at reduced cost)

Standard Paint Finishes



Additional Cost

- Non-standard paint finishes
- Larger brackets available (up to 800x600 VESA)
- Hook on equipment shelf



For further information about our solutions and to discuss your individual requirements please contact a member of the TOP-TEC team.

TOP-TEC is a brand of Dalen Limited
Valepits Road, Garretts Green, Birmingham, B33 0TD
T: +44 (0)121 783 3838 E: sales@top-tec.co.uk
W: top-tec.co.uk