



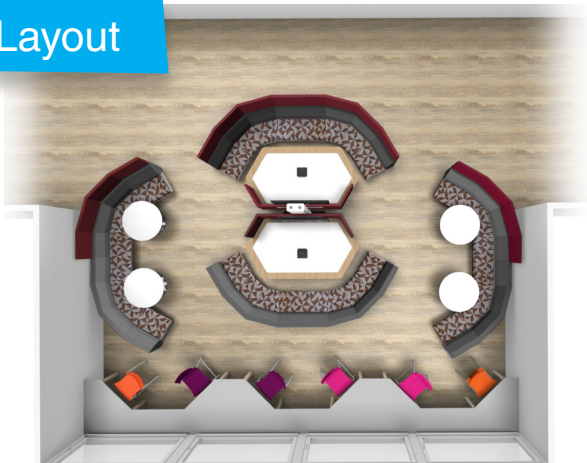
**UNIVERSITY
OF HULL**

Collaborative Breakout Area
Larkin Building

The Brief

- Transform an empty unused corridor space into a more productive learning environment.
- Solutions must be able to effectively integrate AV/IT equipment and feature cable management.
- Power & charge options are required in the worktop for students to bring their own devices (BYOD).
- Furniture must encourage collaboration between users and provide a base for quick impromptu discussions for project and group work.

Layout



3D Render



Result



The Solution



made to measure

Control Panel Housing

For the Crestron MPC-M5 control panel.



Acoustic Screens

Creates effective meeting space in open plan areas.



- 13A Power
- USB
- HDMI
- VGA-A

Cable Cubby

Encouraging students to bring their own devices.



Writing Surface Inlay

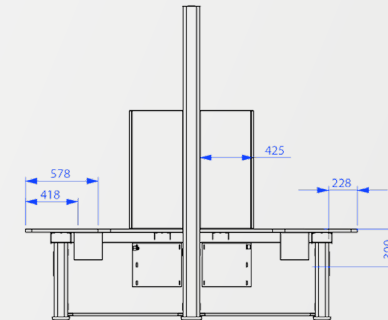
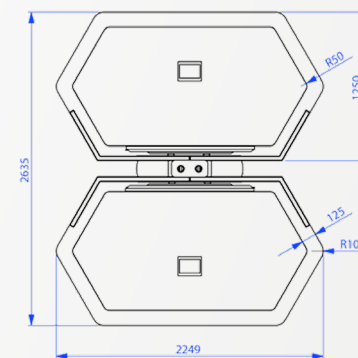
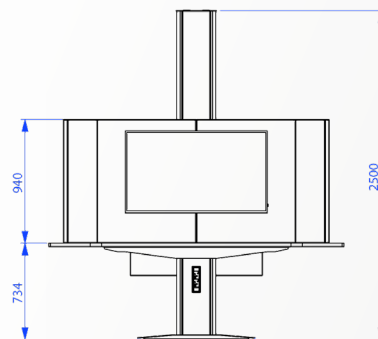
Promoting impromptu discussions and collaboration.



The Result

Constant collaboration between the University and TOP-TEC's in-house design team ensured that the final design was 'fit-for-purpose' and fulfilled the customer's exact requirements.

Since the refurbishment of the breakout area, students are now taking advantage of the space using it for collaborative group projects and quick impromptu meetings.



Looking for a similar solution?

Book your [FREE](#) 2D layout / 3D room render today...

T: +44 (0)121 783 3838

E: sales@top-tec.co.uk

W: www.top-tec.co.uk