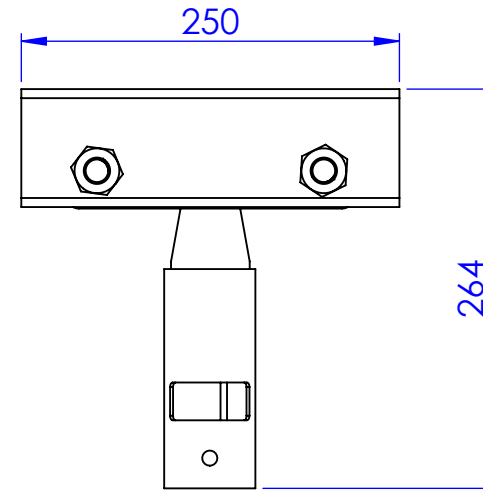
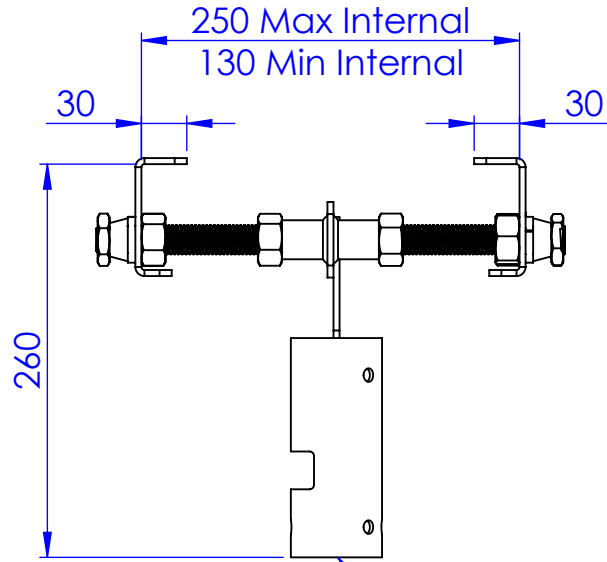
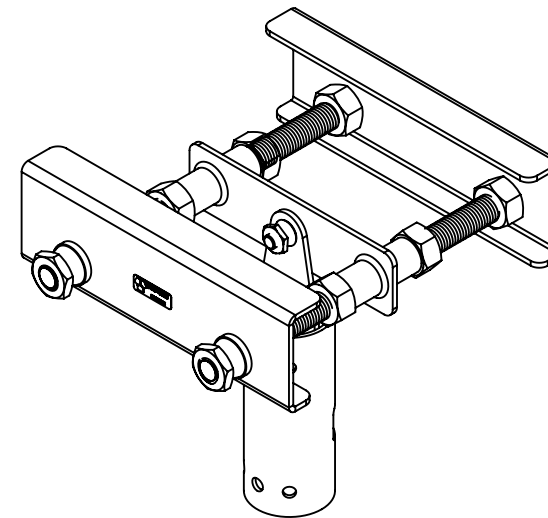
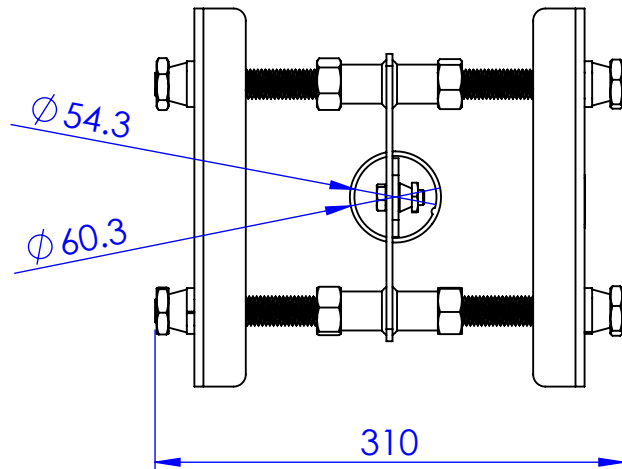


Rev. **A**  
DRG. NO. **D105-006-001**



Compatible with TOP-TEC  
105-SDC and 105-HDC  
mounting columns

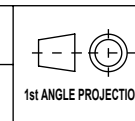


ALL DIMENSIONS IN MILLIMETRES UNLESS STATED OTHERWISE

TOLERANCE	± 0.5mm	HOLES	± 0.1mm
NO DEC. PLACES	± 0.2mm	ANGLES	± 0.5°
1 DEC. PLACE	± 0.1mm		
2 DEC. PLACES			

THIS DRAWING IS ISSUED ON CONDITION THAT IT IS NOT COPIED REPRINTED OR DISCLOSED TO A THIRD PARTY IN WHOLE OR IN PART WITHOUT PRIOR WRITTEN PERMISSION OF DALEN LIMITED

Last Saved	anthony bartlett 10/02/2025
Product	<b>TOP-TEC Girder Clamp</b>
Description	<b>105-GC</b>



REV.	DESCRIPTION	ZONE	DATE
Customer		First SO	
	Drawn	ANCB	Date 10/02/2025
	Sheet #	1 of 1	Scale 1:5
DRG. NAME.	<b>105-GC</b>		Rev. <b>A</b>